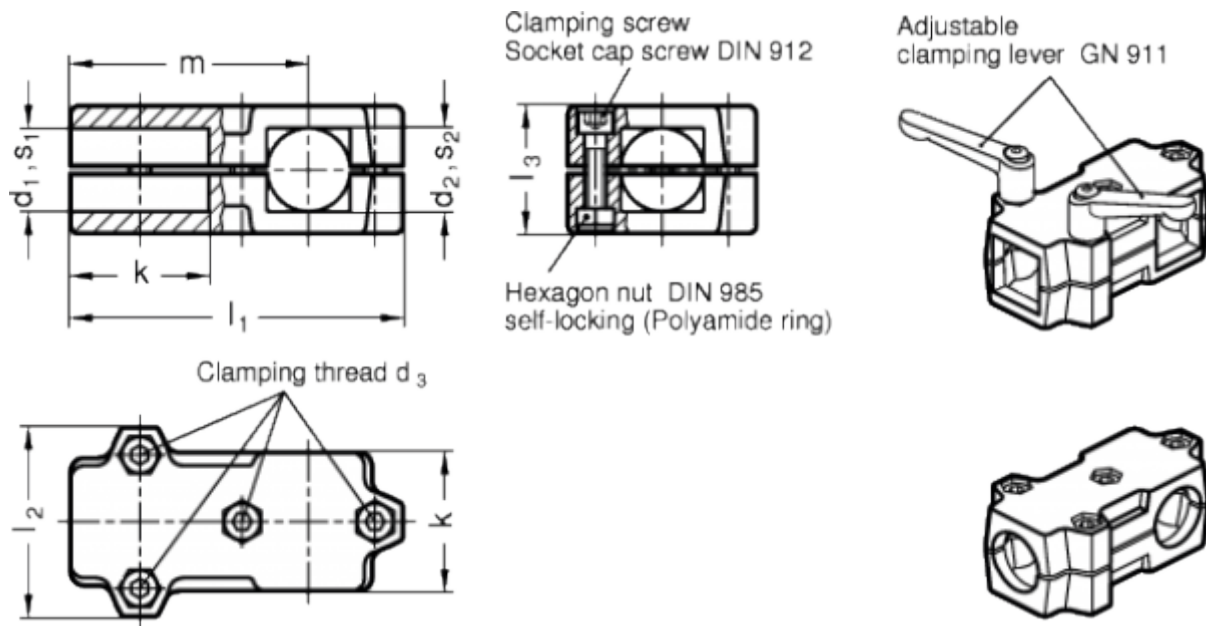


Article number: 20193V40V40762SW
 Description: E+G T-angel clamp
 GN 193-V40-V40-76-2-SW

Measures



Accessories = GN 911-M10-63	m	= -
d1 = -	s1	= 40
d2 = -	s2	= 40
d3 = M10	Weight in (g)	= 1158
k = 76		
l1 = 176		
l2 = 98		
l3 = 70		